

LCD2-80

LCD Annunciator



Annunciators

GENERAL

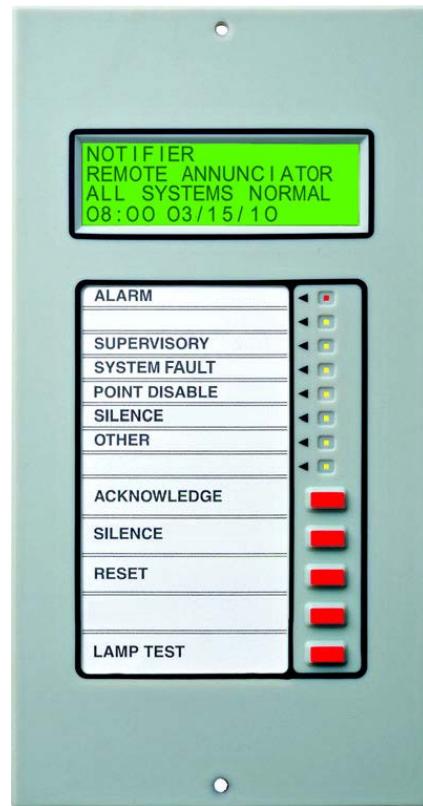
The LCD2-80 is a backlit LCD annunciator for NOTIFIER AFP-3030 fire alarm control panel, or NCA-2 network control annunciators. LCD2-80s may be connected onto the four-wire EIA-485 terminal port.

Up to 32 LCD2-80s can annunciate and provide remote reset, acknowledge and silence of the control panel from remote locations.

The LCD2-80 can be configured in one of two modes; in 'terminal mode' the LCD2-80 mimics the display of AFP-3030 or NCA-2. In 'annunciator' mode the LCD2-80 can be programmed to display custom messages which are activated by a control-by-event (script).

FEATURES

- 80-character backlit Liquid Crystal Display (20 characters x 4 lines).
- Display mimics AFP-3030 or NCA-2:
 - Event message.
 - 20 characters for point label.
 - 2 characters for extended label.
 - Time, date and point address.
- Control switches for System Acknowledge, Silence
- Alarm Devices test and System Reset.
- LEDS for general off-normal events
- ACS (annunciator) mode option for annunciation of user selected points.
- Up to 2000m segments between units.
- Local piezo sounder with alarm/fault resound.
- Displays all analogue addressable points.
- Displays device type identifiers.
- Displays device and zone custom labels.
- Slide-in label can be customized.
- Flush/surface/panel mount option.
- LCD2-80 displays time, date, and custom messages received from the compatible panel or network annunciator.
- Up to 32 LCD2-80s may be used on one EIA-485 circuit.



Terminal Mode

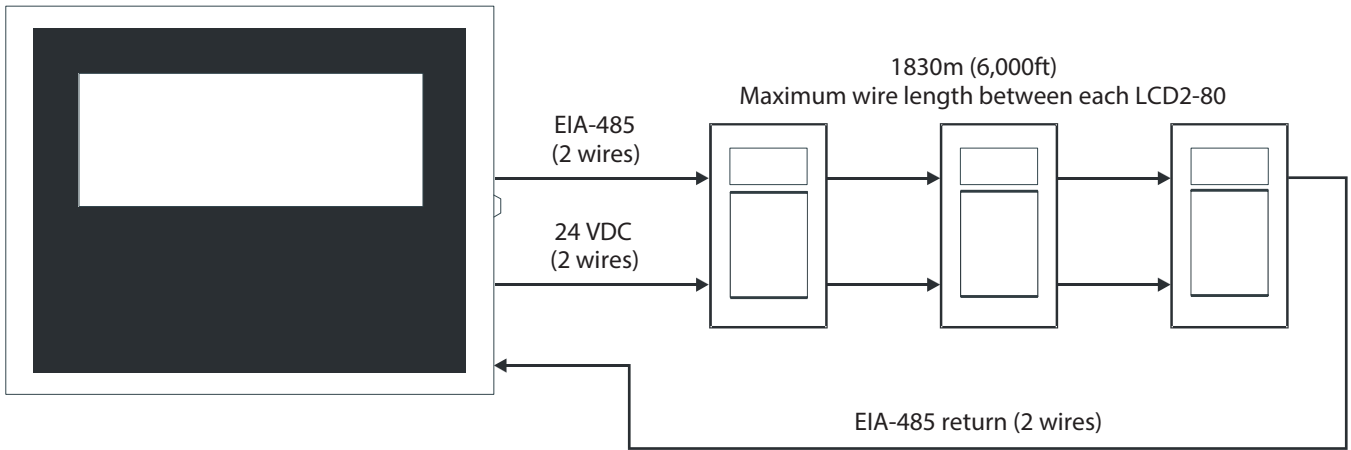
In terminal mode, the LCD2-80 mimics the AFP-3030 or NCA-2 display.

- No programming necessary.
- LCD-80 displays time, date, and events of FACP.
- Displays device type identifiers.
- Alarm/fault/Disable count.
- Individual buttons to display Alarms, Faults, Supervisory and Disable events.
- Scroll buttons to view multiple events.
- Mute button to silence internal sounder.

Annunciator Mode

In annunciator mode, the LCD2-80 acts as a remote display interface which displays pre-programmed messages that are activated by a script event at the FACP.

- Up to 64 pre-programmable messages, programmed via VeriFire Tools.
- Displays message number being read and total number of active messages
- Scroll buttons to view multiple messages.



AFP-3030 or NCA-2 connecting to LCD2-80

PRODUCT LINE INFORMATION

LCD2-80: 80 Character LCD annunciator for AFP-3030 and NCA-2.

Related Options

ABS-1B: (see figure) The Annunciator Surface Box-1B provides for the remote mounting of one annunciator module in a surface-mount enclosure. Knockouts are provided for use with 1/2" (12.5mm) conduit. The annunciator mounts directly to the ABS-1B without a dress plate. 216mm high x 115mm wide x 51mm deep.

ABS-1TB: The ABS-1TB is a surface-mount backbox for mounting one ACS Series Annunciator. Unlike the ABS-1B, the ABS-1TB has an increased depth that allows mounting of Key Switch. 252mm high x 117 mm wide x 64mm deep.

ABS-2B: The Annunciator Surface Box-2B (black) provides for the surface mounting of one ACM-24AT/AEM-24AT combination or one ACM-48A/AEM-48A combination. Knockouts are provided for use with 1/2" conduit. The annunciators mount directly to the ABS-2B without a dress plate. 216mm high x 226 mm wide x 51mm deep.

ABF-1B: (see figure) The Annunciator Flush Box-1B provides for the remote mounting of a single annunciator module in a flush-mount enclosure. Knockouts are provided for use with 1/2" (1.27 cm) conduit. The ABF-1B includes a black metal trim plate (279 mm high x 159 mm wide), mounting hardware, and an adhesive-backed annunciator label for the dress plate. 252mm high x 118mm wide x 64mm deep.

ABF-2B: The Annunciator Flush Box-2B (black) provides for the flush mounting of two annunciator modules. Includes a painted black metal trim plate (279mm high x 267mm wide) and adhesive-backed annunciator label. 252mm high x 233mm wide x 952mm deep.

ABF-4B: (see figure) The Annunciator Flush Box-4B provides for the remote mounting of one to four annunciator modules. Knockouts are provided for use with 1/2" (1.27 cm) conduit. The flush-mounted ABF-

4B includes a painted black metal trim plate (279mm high x 492 mm) and an annunciator label. 252mm high x 451mm wide x 63mm deep.

ABF-1DB, ABF-2DB, ABS-4D: The ABF-1DB, ABF-2DB and ABS-4D are semi-flush-mount backboxes for ACS Series Annunciators. The ABF-1DB mounts one annunciator module; the ABF-2DB mounts two modules; the ABS-4D mounts up to four modules. Black with an attracted smoked glass door and 003 keylock. The ABS-4D is hinged on the bottom for stability.

- **ABF-1DB:** Box only: 252mm high x 117mm wide x 63mm deep. Door: 279mm high x 152mm wide x 19 mm deep.
- **ABF-2DB:** Box only: 252mm high x 234mm wide x 95mm deep. Door: 279mm high x 263mm wide x 19mm deep.
- **ABS-4D:** Box only: 304mm high x 505mm wide x 89mm deep. Door: 304mm high

SPECIFICATIONS

Environmental Specifications

Operating Temperature: 00°C to 40°C

Operating Humidity: 0% to 95% relative humidity (non-condensing).

Electrical Specifications

Supply Power: 24Vdc nominal (17Vdc to 28Vdc)

Current Requirements: @ 24 VDC

- Normal (no activity): 84 mA
- Lamp Test: 105 mA
- AC Fail (Piezo ON): 45 mA
- AC Fail (Piezo OFF): 28 mA
- Alarm (Piezo ON): 98 mA
- Alarm (Piezo OFF): 85 mA

NOTIFIER® and ONYX® are all registered trademarks of Honeywell International Inc.



ISO9001
FS 520324
QUALITY SYSTEMS

This document is not intended for installation purposes. We try to keep our product information up-to-date and accurate. We cannot cover all specific applications or anticipate all requirements. All specifications are subject to change without notice.

© 2015 Honeywell International Inc. All rights reserved. Unauthorized use of this document is strictly prohibited.

For more information please contact your nearest Notifier Office or Distributor

www.notifier.com.au | www.notifier.co.nz

