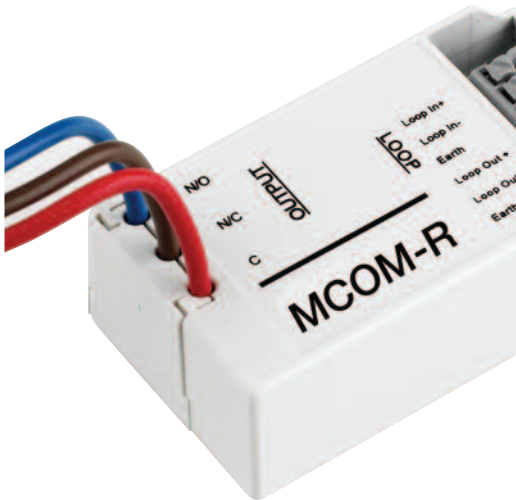
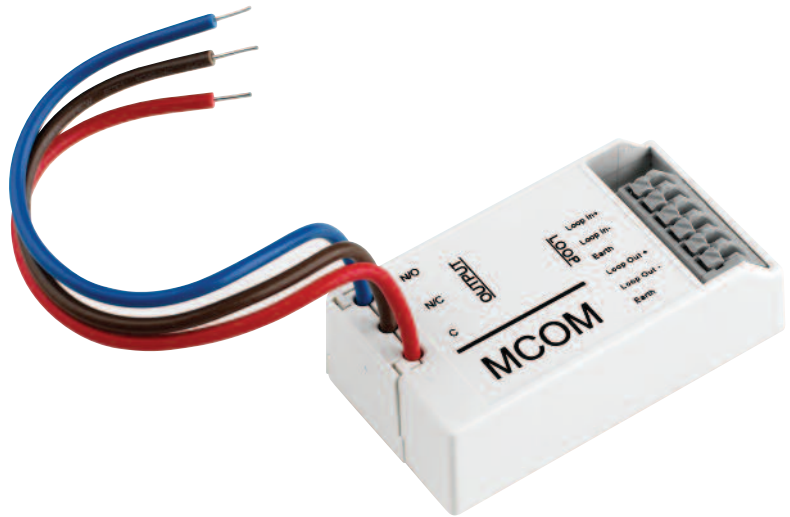


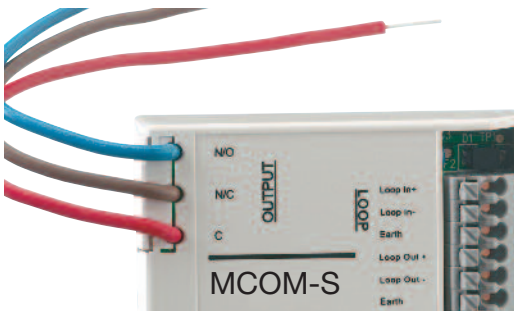
Micro Single Channel Output Units MCOM



MCOM-R micro single channel output unit



MCOM micro single channel output unit



MCOM-S micro single channel output unit

Overview

An extensive range of micro interfaces are available to support the Menvier range of control panels, providing solutions for most design requirements.

The MCOM is a single output, soft addressed, micro interface, incorporating integral short circuit isolators. It is extremely compact and therefore ideal for incorporation into other equipment.

The MCOM is fully compatible with the current range of Menvier intelligent addressable fire control panels.

It is suitable for switching low voltage (24V dc at 1A maximum), via a set of non latching relay contacts.

It is suitable for switching HVAC control circuits, plant shutdown control circuits, fire door closure etc.

Optional Variants

The MCOM-R gives a 5 second pulse on reset.

The MCOM-S is identified by the panel as a sounder. Dose not reset on silence, resets on reset only.

Features

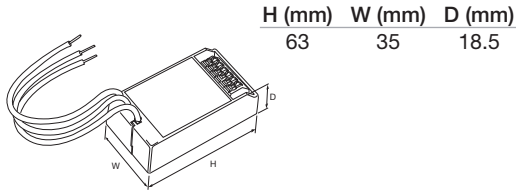
- Quick and simple to install
- Compact size
- Soft Addressed
- Integral short circuit isolator

Benefits

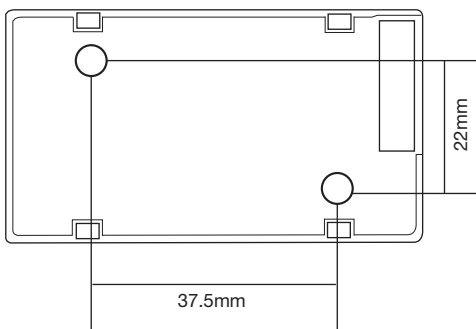
- Plug and play no hard addressing required
- No external short circuit isolator required

Intelligent Addressable Micro Single Channel Output Units

Dimensions



Mounting Details



Technical Specification

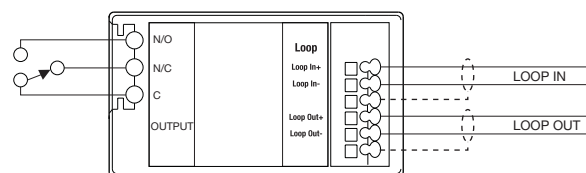
Code	MCOM
Description	Micro single channel output unit
Standards	EN54 Pt17 & Pt18
Specification	
Operating Voltage	18.5V dc to 30V dc
Quiescent Current	310µA
Output Relay	
Switching Voltage	24V dc to 30V dc
Contact Rating	1A
Switching Power	30 Watts
Environmental	
Operating temperature	-10°C to +60°C
Humidity (non condensing)	0 to 95% RH
Physical	
Construction	PC/ABS
Dimensions (H x W x D)	63mm x 35mm x 18.5mm
Weight	0.078kg
Ingress protection	IP40
Compatibility	
Suitable for use with	Menvier intelligent addressable fire systems
Recommended loop/cable type	Fire Tuff, FP200, MICC

Installation

1. Suitable for switching 24V dc control circuits (fire door retainers etc).
2. Connections suitable for single strand fireproof cable up to 2.5mm².
3. Loop and output cable screen must be connected to interface earth terminals.
4. The relay output is a set of change over, non-latching, volt free contacts which are non monitored.

Note: No addressing of the interface is required (see control panel operation for details)

Standard Connections



Product Codes

Code	Description
MCOM	Micro single channel output unit (recognised as output unit)
MCOM-S	Micro single channel output unit (recognised as sounder)
MCOM-R	Micro single channel output unit (5 second reset pulse)