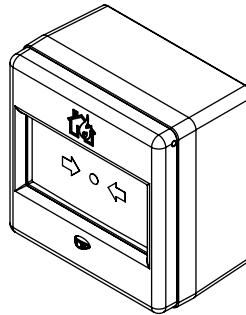


BiWire Ultra range:



0359-CPR-00422
Compliance EN54-11:2001

CallPoint



CallPoint weatherproof (WP)

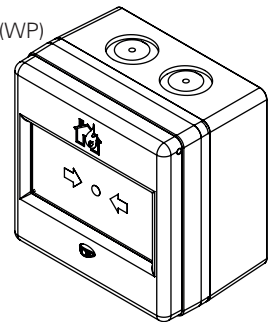
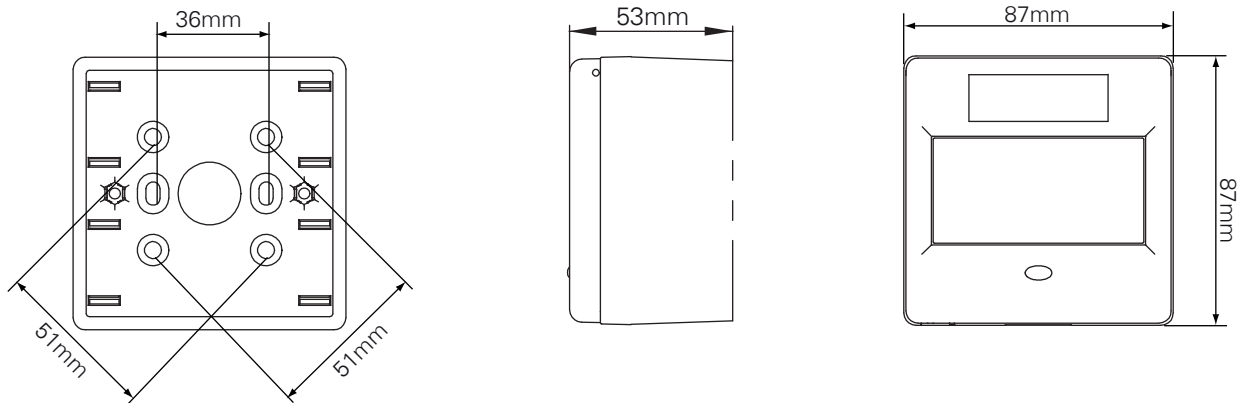


Table 1. Specification

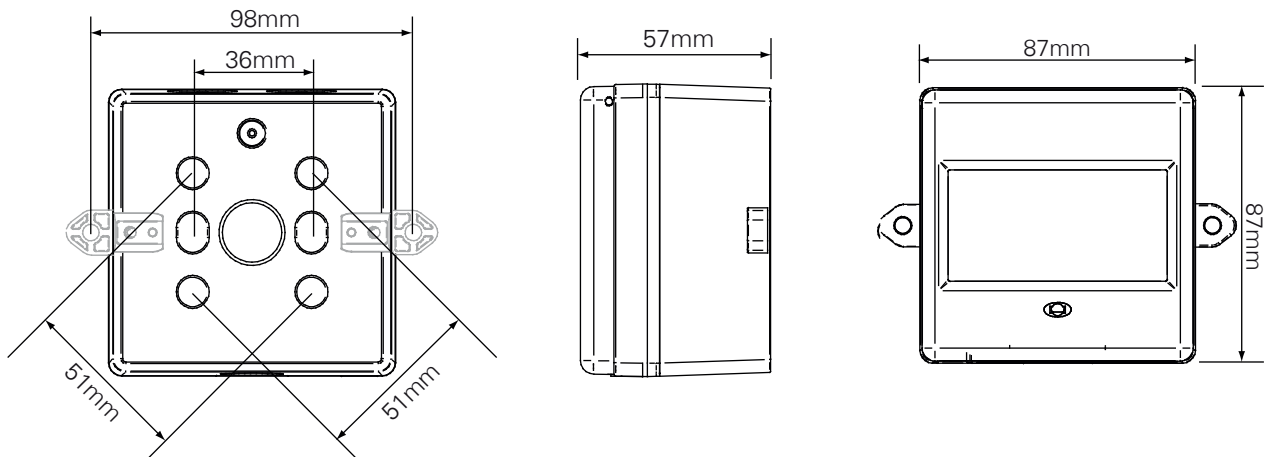
Feature	Value	Feature	Value
Supply voltage	18~35 Vdc	Operating temperature (indoor)	-10 to +55°C (95%RH)
Cable size/type	0.28~2.5mm ² cable shall comply with applicable standard	Operating temperature (WP)	-25 to +70°C (95%RH)
Standby current	<22µA	Material	ABS FR plastic
Alarm current	20mA pulsed	Environmental category	Indoor= IP21C/ WP= IP66
Low level alarm current	1mA steady	LED indicator	Red
		System compatibility	Eaton BiWire Ultra

Note: There are no serviceable parts therefore no maintenance required.

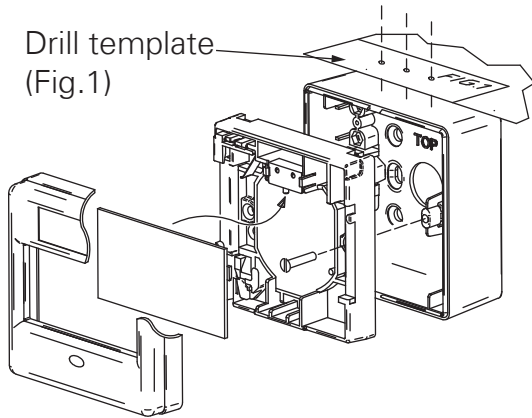
1. CallPoint indoor (Type A)



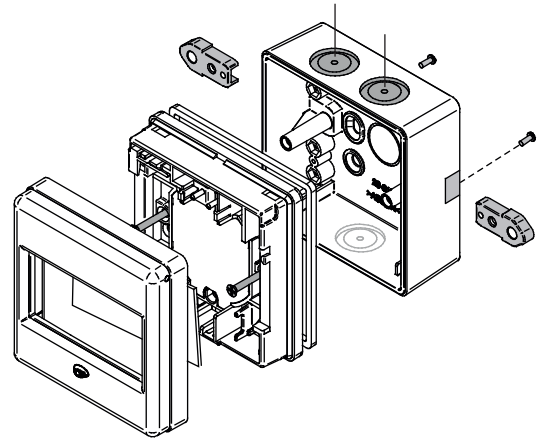
2. CallPoint weatherproof (Type A)



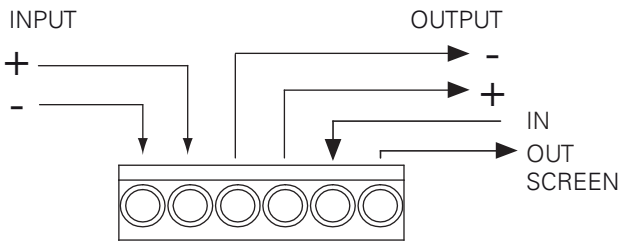
3. Exploded view (indoor)



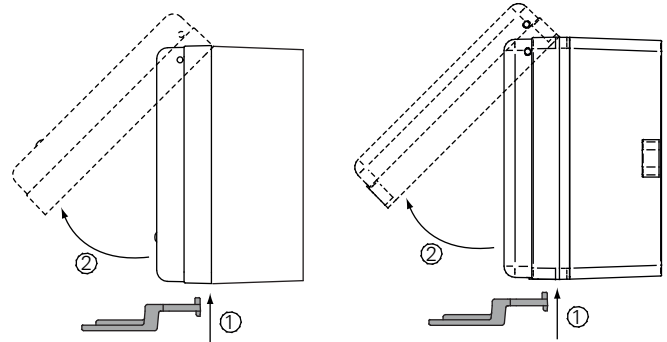
4. Exploded view (WP)



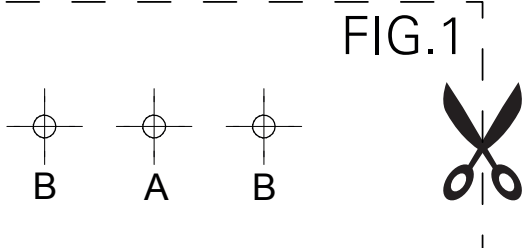
5. Wiring details



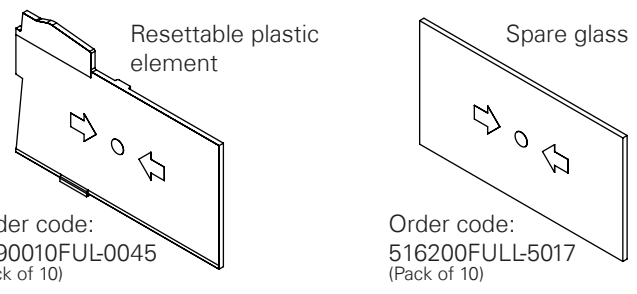
6. Removing front cover



7. Drill template



8. Accessories



Order code:
4990010FUL-0045
(Pack of 10)

Order code:
516200FULL-5017
(Pack of 10)

Manufactured by

Cooper Lighting and Safety Ltd.
Wheatley Hall Road,
Doncaster,
South Yorkshire,
DN2 4NB,
United Kingdom
www.cooperfire.com

Technical
Tel: +44 (0)1302-303350
techsupport@cooperfire.com

Eaton Industries Manufacturing GmbH
Electrical Sector EMEA
Route de la Longeraie 7
1110 Morges, Switzerland
Eaton.eu

© 2014 Eaton
All Rights Reserved
Made in the U.K.
September 2014